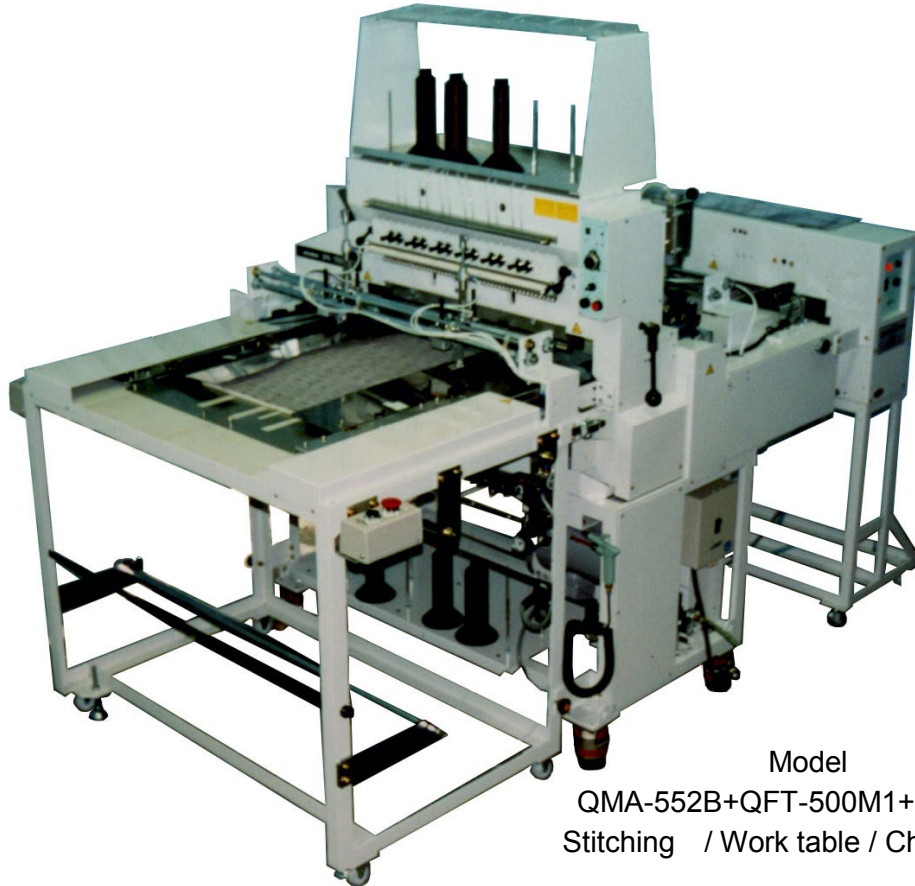


QUEEN LIGHT

Industrial Sewing machine **QMA Series**

**Compact
Double
Chain
Stitch
System
Quilting
Machine**



Model
QMA-552B+QFT-500M1+QCT-553F
Stitching / Work table / Chain cutter

This machine is a compact multiple needle quilting machine developed to serve for the labor saving and possibility of operation without skill as well as sophistication of the stitching department of extra heavy material (Automotive upholstery, furniture, etc.)

FEATURES

● COMPACT AND LIGHT WEIGHT

Compact, Light weight and Simply movable quilting work readily possible in the work shop.

● ADAPTABLE TO VARIOUS

STITCHING METHODS

*Both piece stitching and continuous stitching possible. (QMA-552F)

*Stable stitch line is performed (QMA-552B)

*Hi-Speed stitching enable. (QMA-552R)

● STABLE STITCHING CONDITION

Stable stitching condition and stitch slippage prevent to enable beautiful stitching work by the adoption of lifting lock feed mechanism.

● VARIOUS FEED MECHANISM AVAILABLE

Front puller and lifting lock feed ===== 552F

Belt feed ===== 552B

Roller feed ===== 552R

● SPECIAL NEEDLE USED

Fitting of needle simplified and accuracy upgrade by use of exclusive needle.

● VARIOUS ATTACHMENTS AVAILABLE

Various attachments to comply with users requirements are available.

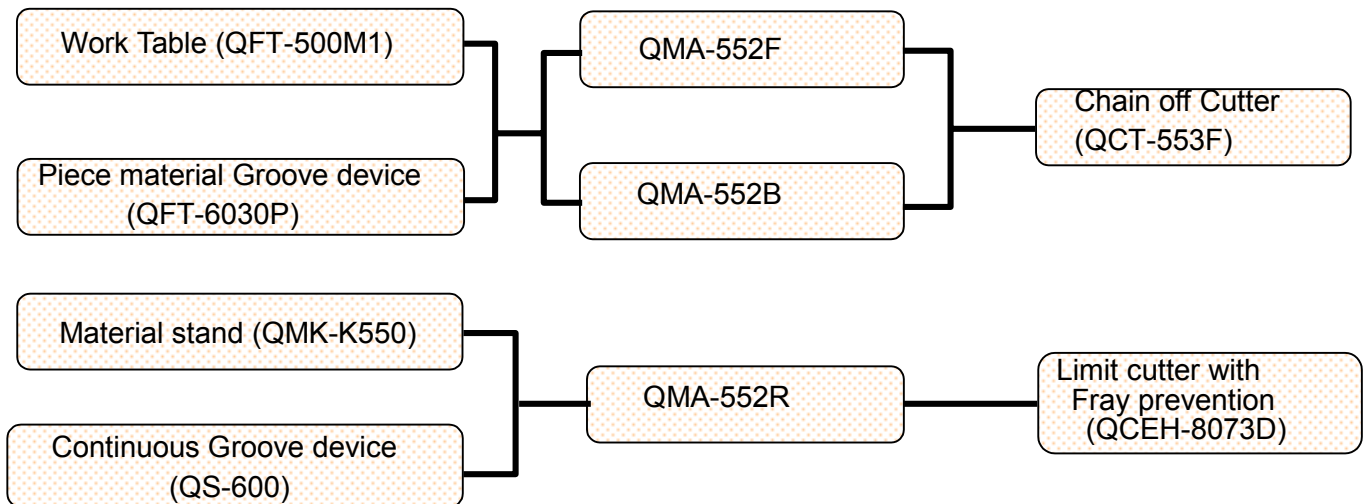
Work table / Chain-off cutter

(Piece by piece operation)

Material-roll stand / Limit cutter

(Continuous operation from roll)

OPTIONAL FUNCTIONS for QMA-552F/552B/552R



SPECIFICATIONS QMA-552 Series

Model	QMA-552F	QMA-552B	QMA-552R
Power required	3P / 200 V +- 10% 50/60 Hz or 3P / 220 V +-10% 60 Hz		
Power consumption	Abt. 1.1 Kva	Abt. 2.5 Kva	Abt. 2.5 Kva
Stitch speed	140 – 600 SPM	200 – 1000 SPM	230 – 1000 SPM
Max. stitch width	Up to 550 mm		
Stitch length	3 – 6 mm	2.5 – 7 mm	2.5 – 7 mm
Gate width	1000 mm (From needle center to right 400 mm left 600 mm)		
Feed system	Lifting lock with puller	Upper & lower belt	Roller feed with 3 rollers
Needle bar stroke	45mm		
Needle used	DV x 600 or equivalent		
No. of spool holder	Upper & lower 12 each		
Fixed position stop	Needle upper position stop		
Presser height	Max. 15 mm		
Color	QL standard color (white)		
Weight	Abt. 318 Kg	Abt. 330 Kg	Abt. 315 Kg

OPTIONAL SPECIFICATIONS

*Central lubrication system	*Slitter device
*Guard in front of needle	*Spool stand on the top of machine head
*Feed roller safety cover	*Front brush
*Automatic presser lifter	*Foot switch
*Air gun for threading	*Lever for jogging operation
*Side guide	
*Transformer for more than 200V input power	*Subjects may change without notes

Manufactured by



QUEEN LIGHT ELECTRONIC INDUSTRIES LIMITED

576-1 Minato, Wakayama, Japan 640-8404

Phone 8173-431-6245

Fax 8173-433-8815

E-Mail: info@queenlight.co.jp

Web site: www.queenlight.co.jp